

坚守品质 追求卓越  
Adhere to Quality and Pursue Excellence



华尊·日佳  
HuaZun·RiJia



# HZ 系列喷气织机

青岛华尊机械股份有限公司  
QINGDAO HUAZUN MACHINE CO.,LTD.



[www.qdhuazun.cn](http://www.qdhuazun.cn)

公司地址：中国青岛胶州艾山工业园

Jiaozhou Aishan Industry Park of Qingdao

电话TEL: +86-532-8622 2278

传真FAX: +86-532-8622 2279

网址Web: <http://www.qdhuazun.cn>

E-mail: [sale@qdhuazun.com](mailto:sale@qdhuazun.com)

[wangyong@qdhuazun.com](mailto:wangyong@qdhuazun.com)

邮编P.C.: 266425

销售总部

地址：江苏苏州吴江盛泽湖东会馆41幢106商铺

NO.106.41 building Hudong Hall,shengze,wujiang,  
suzhou,jiangsu

电话TEL: +86-512-6352 0135

电话TEL: +86-512-6311 2157

传真FAX: +86-512-6352 0135

E-mail: [lan137062@126.com](mailto:lan137062@126.com)

青岛华尊机械股份有限公司  
QINGDAO HUAZUN MACHINE CO.,LTD.



# 为客户制造独特价值 是我们一成不变的追求

QINGDAO HUAZUN MACHINERY CO.,LTD.

## 创新

专注于一个产品，不断创新，不断超越。创新已成为青岛华尊机械股份有限公司的信仰，已成为青岛华尊机械股份有限公司的追求。

青岛华尊机械股份有限公司成立以来，将技术创新作为公司最重要的一项工作，经过技术人员多年的努力，公司已获得25项国家专利；4项计算机软件著作权登记

## INNOVATION

Focus on one product, keep innovating and surpassing. Innovation has become the belief and pursuit of Qingdao Huazun Machine Co., Ltd.

Since the establishment of Qingdao Huazun Machine Co., Ltd., technical innovation has been regarded as the most important work of the company. Through the efforts of technicians for many years, the company has obtained 25 national patents and 4 computer software copyright registration.

## 公司简介 Company Profile

### 风雨同舟 携手共赢

青岛华尊机械股份有限公司成立于2000年，是一家专业从事喷水织机、喷气织机研发设计、生产销售的国家高新技术企业。

公司建立了完善的质量管理体系，先后获得了ISO9001、ISO14001、OHSAS18001等质量体系认证；拥有先进的加工中心、三坐标测量仪、轴承加热装配设备、喷涂设备、总装流水线等，技术实力雄厚加工能力强；研发力量强，研发投入高，已累计取得了数十项专利技术，使公司拥有了核心技术；优秀的销售服务团队，为用户提供技术支持，为用户解除后顾之忧。

公司成立伊始，就将“做一件产品，树一座丰碑”作为经营理念，秉承“诚信、和谐、创新”的企业精神，坚守品质，追求卓越，在激烈的竞争中取得了年产数千台织机的成绩，不但在国内拥有大量的客户，而且远销印尼、印度、越南、朝鲜、土耳其、埃塞俄比亚、巴勒斯坦等国家，深受用户的喜爱。

不诋毁对手，不贬低同行，不辜负客户，专注于提高技术质量水平，用优质的产品全面的服务让客户满意，让同行认可，让对手敬佩。

华尊日佳，永握合作伙伴的双手，让诚信为先，共同发展共结双赢联盟。

Qingdao Huazun Machine Co., LTD was founded in 2000, one national high-tech enterprise which devotes to researching, producing and selling water and air jet loom.

The company has established a perfect quality management system, successively obtained ISO9001, ISO14001, OHSAS18001 and other quality system certification; it has advanced processing center equipment, three coordinate measuring instrument, bearing heating assembly equipment, painting equipment, general assembly line, etc., with strong technical strength and strong processing capacity; it has strong R & D force, high R & D investment, and has accumulated dozens of patent technologies. The company has core technology and excellent sales service team, which provides technical support for users.

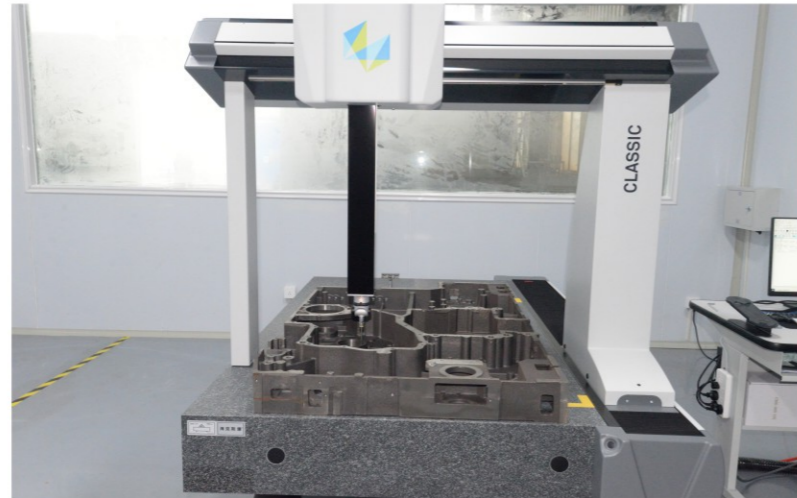
Since its establishment, the company has taken "making a product and building a monument" as its business philosophy, adhering to the enterprise spirit of "integrity, harmony and innovation", upholding quality and pursuing excellence. It has achieved the annual production and sales of thousands of looms in the fierce competition. It not only has the largest and most customers in China, but also sells to Indonesia, India, Vietnam, Palestine, Korea, Turkey, Ethiopia and other countries, deeply customer's favorite.

Don't denigrate the competitors, don't belittle the peers, live up to the customers, focus on improving the technical quality level, use high-quality products and comprehensive services to satisfy the customers, let the peers recognize and let the competitors admire.

Huazun(Rijia), always hold the hands of partners, let integrity first, pursue common development and win-win alliance.



三坐标测量仪  
Coordinate measuring instrument



公司采用先进的检验检测设备，确保工序生产产品合格率，严格控制质量，从而保证整机的产品质量，通过检验改进产品生产工艺，提高质量，提升产品综合竞争力。

The company adopts advanced inspection and testing equipment to ensure the pass rate of products produced in the process and strictly control the quality, so as to ensure the product quality of the whole machine, improve the production process through inspection, improve the quality and enhance the comprehensive competitiveness of products.

CNC加工中心  
CNC machining center



采用CNC加工中心成套加工关键零部件，使产品一次精加工完成，高精度的进口加工中心，成套加工左右墙扳，确保设备两侧齿轮同轴旋转，降低产品运转时产生的震动和噪音，提高织机稳定性及开机率。

CNC Machining Center is used to process key parts in a complete set, so that the product can be finished in one finishing process, high precision import processing center, complete processing of left and right wall wrenches, ensuring coaxial rotation of gear on both sides of the equipment, reducing vibration and noise generated during product operation, and improving loom stability and start-up rate.

流水线组装  
Assembly line

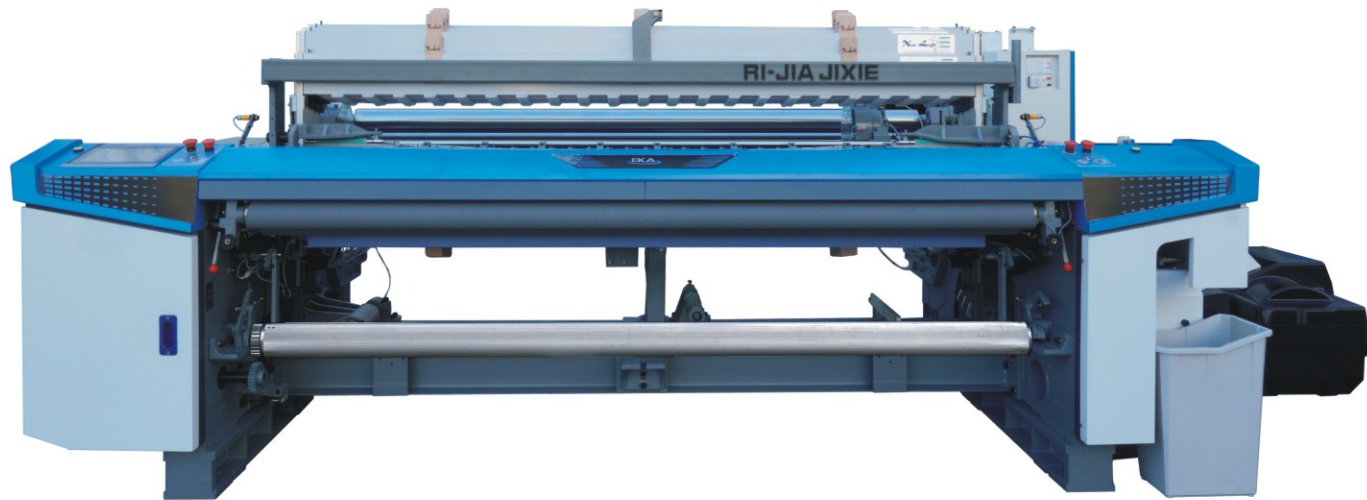


公司采用织机整机装配流水线，通过严格的质量管理、精细化组装工序流程。用专用工具定扭矩紧固联结件，通过整条流水线上的技术来优化产品的质置控制，对生产设施的可靠性、成本效益和质量具有严格的要求，确保了整机组装的质量100%合格。

The company uses the Whole machine assembly line. through the strict quality managemant. fine dilferentiation assembly process flow. The factory people use the special tool to tighten the connecting parts with constant torgue.optimizing product's quality control through whole assembly line's technic. we have the strict requirements about production facility's stabiliy, cost efficiency and quality to ensure whole machine's assembly qualified by100%.

# HZ860系列喷气织机

## HZ860 AIR JET LOOM



1. HZ860型喷气织机，设计结构紧凑，方便用户操作。
2. 打纬机构采用框架结构，刚性强，打纬力大，振动小，适应高速织造，对高织高密织物也有良好的适应性。
3. 副喷采用一拖二结构，减少喷嘴喷射时间，通过对喷嘴的喷射时间的精确控制，进一步降低耗气量。
4. 窄幅织机采用4连杆打纬，适应高速织造；宽幅织机采用6连杆打纬，增加引纬时间，使纬纱在低压条件下加速，而不会拉断纬纱，从而实现稳定织造。
5. 采用电子送经、电子卷取，具有自动寻纬、消除停车档功能及变纬密织造等功能。
6. 开口形式，可选配曲柄开口，下置式凸轮和下置式多臂以及提花开口。

1. HZ860 air-jet loom, the design compact structure, convenient user operations.
2. Beating mechanism adopts frame structure, strong rigidity, beating-up force is big, small vibration, adapt to high speed weaving, also have good adaptability to high weaving high-density fabric.
3. Vice spray using yituo structure, reduce nozzle injection time, through to the nozzle jet the precise control of time, further reduce gas consumption.
4. A narrow loom USES four linkage beating-up, adapt to high speed weaving. Wide loom, increase 6 linkage beating-up weft insertion time, accelerates a weft yarn under the condition of low pressure, and not pushed out weft weaving to achieve stability.
5. The electronic let-off and electronic take-up, with functions of automatic search weft, eliminate the stop marks and variable weft density weaving, and other functions.
6. Open form, the optional crank openings, underneath type CAM and underneath type dobby and jacquard openings.

### 电子送经装置

Electronic let-off

通过张力传感器检测经纱总张力，由CPU处理由于开口或松经、送经、经轴的卷径变化引起的经纱张力变化，指令伺服电机传动经轴，从而在工作过程中保持均衡化的张力，消除了开车秘密档，保证织物均衡平整。采用刚性的机架、大直径的经轴齿轮和内装油浴式积极松经传动轴等，使织机更进一步实现了高速化、可以更加灵敏的适应高密织物的织造要求。

To detect the total inspection of warp yarns through tension sensor, the CPU handles the change of warp yarns tension caused by shedding or relax warp, let-off, take-up's change of warp beam, and instructs the servo motor to drive warp beam, thus, this can keep the balanced tension in working procedure and eliminate the secret-mark, ensure the fabric equilibrium & formation. The machine adopts rigidity frame, warp beam gear with large diameter and positive relax warp driving shaft which is built-in oil bath, which makes the weaving machine future to realize high speed and can be more sensitive to adapt the weaving requirements for high-density fabrics.

### 卷取装置

Take-up device

采用机械式连续卷取和电子卷取两种形式。结合电子送经通过准确的正反转向防止停车挡很有效。

We adopt two forms of take-up: mechanical continuous take-up and electronic take-up. It is very effective to prevent the stop-mark to combine with electronic let-off by accurate forwarder and reverse.

### 双探头探纬器

Double probe feeler

探纬器采用双探头方式，除了探知通常的短纬或弯纬外，还可以探知纬纱被吹短或长纬的现象，从而保证万无一失。

Double probe feeler, it is not only to discovery short or bending weft, but also to find the weft which was blown, thus to ensure foolproof.



## 高品质 低耗能 无污染

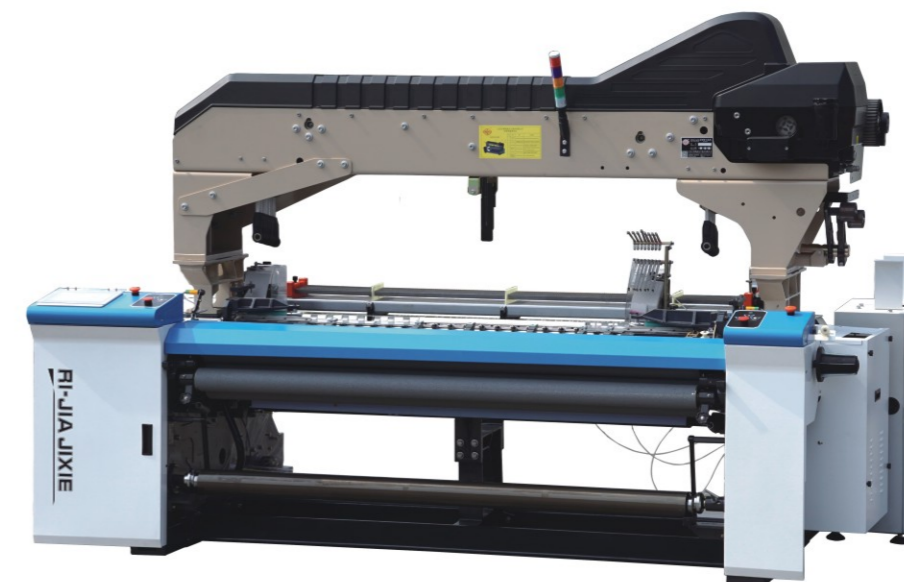
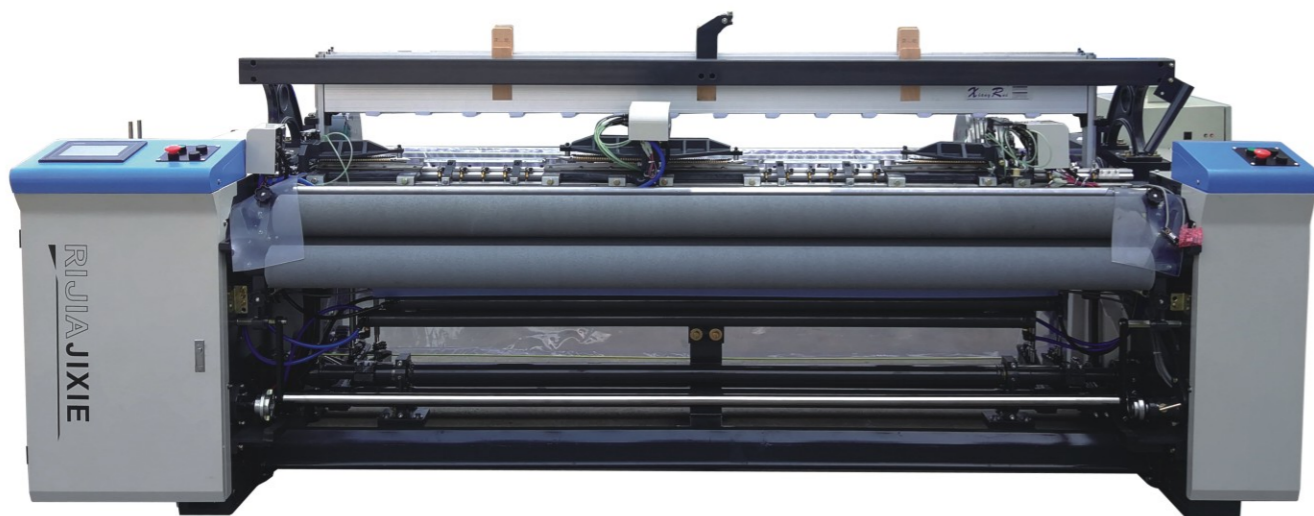
Superior quality Low power consumption Pollution-free

# HZ870系列喷气织机

## HZ870 AIR JET LOOM

- 1.HZ870型气织机,定位喷水织机市场,特别适应化纤长丝制造
- 2.采用喷水织机408机架,采用四连杆打纬结构,打纬结构运动平稳,振动小,适应高速织造。
- 3.副喷采用一拖三结构,副喷电磁阀固定在前上梁上,缩短气管长度,减少压力损耗。
- 4.主喷、辅喷喷射口精确控制,节能降耗
- 5.采用电脑屏操作,参数更改方便,工人可以通过学习快速完全掌握,迅速应用。
- 6.采用电子送经,电子卷取,具有自自动寻纬和消除停车档功能。
- 7.采用用多箱脚实心打纬机构,整机振动大大降低。
- 8.开口形式,曲柄开口,上置式凸轮和上置式多臂。

1. The HZ870 air-jet loom is positioned in the market of water jet looms, especially for the manufacture of chemical filament yarn.
2. It adopts the 408 rack of water jet loom, adopts four link beating up structure, the beating up structure has stable movement and small vibration, and is suitable for high-speed weaving.
3. The auxiliary spray adopts one dragging three structure, and the auxiliary spray solenoid valve is fixed on the front upper beam to shorten the length of the trachea and reduce the pressure loss.
4. The main injection and auxiliary injection time are precisely controlled to save energy and reduce consumption.
5. It uses computer screen operation, parameter change is convenient, workers can learn quickly and fully grasp, and quickly apply.
6. electronic let off, electronic take-up, automatic weft insertion and elimination of stop stop function.
7. adopting multi reed foot solid beating up mechanism, the whole machine vibration is greatly reduced.
8. shedding form, crank shedding, upper mounted cam and upper mounted dobbie.



### 电子送经装置

Electronic let-off

通过张力传感器检测经纱总张力,由CPU处理由于开口或松经、送经、经轴的卷径变化引起的经纱张力变化,指令伺服电机传动经轴,从而在工作过程中保持均衡化的张力,消除了开车秘密档,保证织物均衡平整。采用刚性的机架、大直径的经轴齿轮和内装油浴式积极松经传动轴等,使织机更进一步实现了高速化、可以更加灵敏的适应高密织物的织造要求。

To detect the total inspection of warp yarns through tension sensor, the CPU handles the change of warp yarns tension caused by shedding or relax warp, let-off, take-up's change of warp beam, and instructs the servo motor to drive warp beam, thus, this can keep the balanced tension in working procedure and eliminate the secret-mark, ensure the fabric equilibrium & formation. The machine adopts rigidity frame, warp beam gear with large diameter and positive relax warp driving shaft which is built-in oil bath, which makes the weaving machine future to realize high speed and can be more sensitive to adapt the weaving requirements for high-density fabrics.

### 卷取装置

Take-up device

采用机械式连续卷取和电子卷取两种形式。结合电子送经通过准确的正反转对防止停车挡很有效。

We adopt two forms of take-up: mechanical continuous take-up and electronic take-up. It is very effective to prevent the stop-mark to combine with electronic let-off by accurate forwarder and reverse.

### 双探头探纬器

Double probe feeler

探纬器采用双探头方式,除了探知通常的短纬或弯纬外,还可以探知纬纱被吹短或长纬的现象,从而保证万无一失。

Double probe feeler, it is not only to discovery short or bending weft, but also to find the weft which was blown, thus to ensure foolproof.

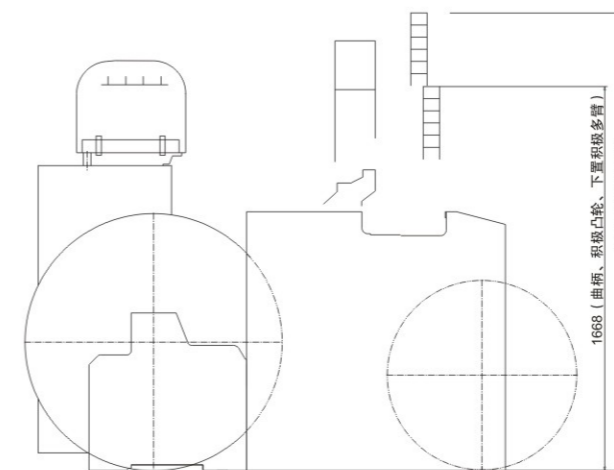
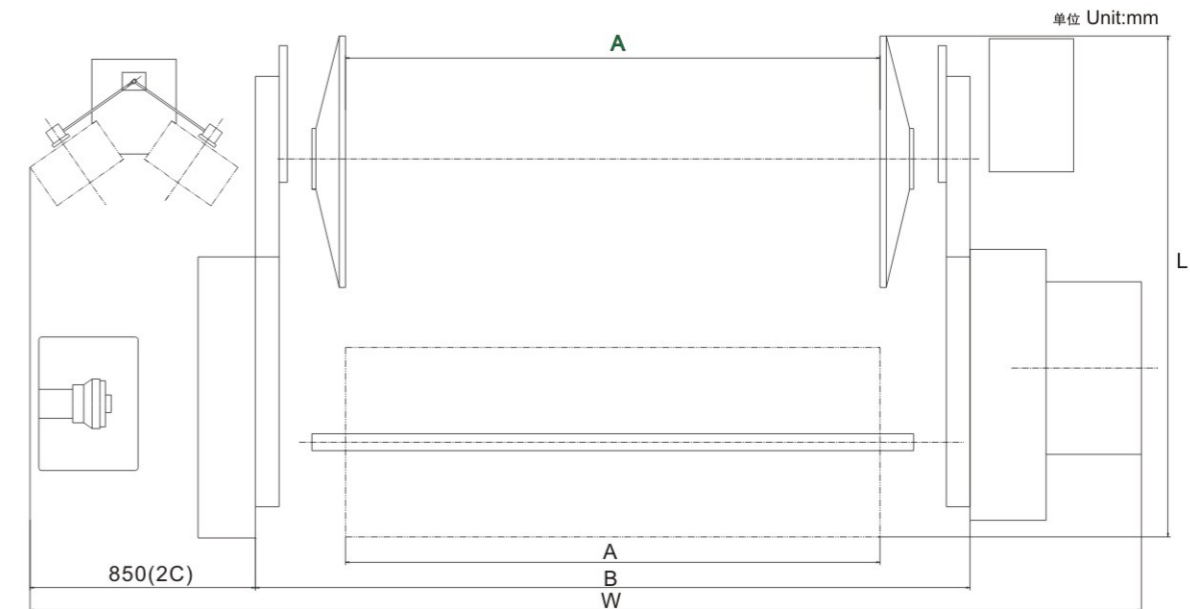
**维护简单** Simple maintenance  
**安全可靠** Safe and reliable  
**性能卓越** Excellent performance

# 技术参数 Specifications

项目 Item	公称规格 Standard specifications	选择件 Option	
箱幅 Reed space	公称箱幅 Nominal (cm)	150, 170, 190, 210, 230, 250, 280, 340, 360	
	有效穿幅 (cm) Useful reeding width (cm)	公称箱幅减: 0~60cm (<250cm) Maximum reduction: 80cm (<250cm) 0~80cm (>280cm)	
织造范围 Weaving scope	短纤 Staple	Ne100-Ne2.55	
	长丝 Filament	20d-1350d	
纬纱选择 Weft selection	双喷, 4喷, 6喷 Double spray, 4spray, 6spray	8喷 8 spray	
动力 Power	超启动马达, 马达驱动直接启动 Super start motor, motor drive directly	直驱电动机 Direct-drive motor	
	马达到额 (KW) The motor rating (KW)	1.8, 2.2, 2.8, 3.0, 3.7, 5.5KW (大提花开口) 1.8, 2.2, 2.8, 3.0, 3.7, 5.5KW (jacquard shedding)	
引纬 Weft insertion	主喷嘴, 副喷嘴并用式, 使用异形钢箱 The main nozzle, nozzle with the type, use special reed	拉伸喷嘴 Stretch nozzle	
	辅助主喷嘴 Assist the main nozzle	流量屏幕显示 Flow screen display	
	引纬控制 Weft insertion control	副喷嘴分别喷接力控制 Deputy nozzle relay control 副喷嘴支援控制 Sub-nozzle boosting system	
开口 Opening	曲柄开口: 4片综框 Crank plain shedding: shaft number:4	6连杆开口 Six linkage shedding	
	积极式凸轮开口: 最多8片综框 Positive cam shedding: shaft number up to 8	自动平综 (积极凸轮)、综框片数可到 10片 Positive cam shedding: shaft number up to 10	
	多臂开口 (电子式, 积极, 下置): 最多 16片综框 Dobby shedding (electronic, floor-mounted) shaft number up to 16		
送经 Let-off	大提花开口 Jacquard shedding	布边商标提花 Fabric label logo jacquard	
	电子送经 Electronic let off	左右双经轴、上下双经轴 Left and right double beam, upper and lower double beam	
卷取 Take-up	边盘直径 (mm) Variable disc diameter (mm)	800, 914, 1000	
	电子卷取, 纬密自动变换功能 Electronic take-up with automatic conversion of density		
	最大卷布直径 (mm) The largest cloth diameter (mm)	600mm (凸轮开口、多臂开口、大提花开口), 520mm (曲柄开口) 600mm (cam, doobby, jacquard shedding), 520mm (crank shedding)	机外大卷装 Outside the machine Take-up
	纬密范围 Weft density range	MTU: 6.6-80.5根/cm (16.7-204.4根/英寸) ETU: 6.6-80.5 picks/cm (16.7-204.4 picks/inch)	MTU: 2.1-25.7 picks /cm (5.4-65.4 picks /英寸)
打纬 Beating-up	ETU: 9.8-118.1 根/cm (25-300根/英寸) ETU: 9.8-118.1 picks/cm (25-300 picks/inch)	ETU: 5.9-118.1 picks /cm (15-300 picks /英寸)	
	织布长库计数 Weaving length counting	Displayed on the keyboard display, with the function of scale parking	
测长储纬 Length measuring weft	曲柄式多箱脚踏打纬机构 Crank type sley feet more beating-up mechanism		
	4节连杆打纬 Section four linkage beating-up		
	6节连杆打纬 (箱幅250cm以上) Conjugate Cam Beating		
行星齿轮式 Planetary gear type			
电子式剪刀 Electronic scissors			
机械式剪刀 Mechanical scissors			
全幅式边撑 Full-Selvage temple			
可调式织口条 Adjustable Weaving Strips			
停车装置 Stop device	纬停 Weft stop	反射式控纬器 Reflex ground weft detector	
	经停 Warp yarn	6列停经架 Six columns dropper	
	其它 Other	绞边、纱端处理纱断头停车 Wring side parking broken ends, yarn end processing	
	故障显示 Fault display	操作屏显示, 4色指示灯显示 Operating screen, 4 color indicator light display	
加油 Lubrication	主传动部分油浴方式, 集中加手 (黄油手动) Oil bath system for main driving parts, centralized lubrication (manual grease)	集中加油 (黄油自动) Centralized lubrication (automatic grease)	
	计算机控制系统 The computer control system		
自动化 Automation	监控、自我诊断功能 Monitoring and self-diagnosis function		
		自动抽纬纱 automatic weft supply motion	

※ 规格尺寸如有变化, 恕不另行通知  
Any changes in specifications or dimensions will be communicated separately and notified accordingly

# 尺寸 Dimensions



边盘直径 Flange dia	Ø800
L	1860

注:  
L为Ø800边盘的概略尺寸, 至于其它规格的详细尺寸请直接向我公司询问。  
边盘直径为Ø914或Ø1000时, 根据经轴位置需要, 将地面加高或在地面挖槽。  
Note:  
Figure in the "L" section is the dimension for the range diameter of 800mm, For details of other specifications please contact us.  
When the flange diameter is 800mm or 1000mm, liners or an excavated floor is required according to the beam mounting position.

公称箱副 Reed space cm (尺寸)		190(75)	210(83)	230(91)	250(98)	280(110)	340(134)	360(142)
W(2C)	消极凸轮开口 Negative cam	3990	4190	4390	/	/	/	/
	积极凸轮开口 Positive cam (STAUBL 1:1661)	4330	4530	4730	4930	5230	5730	5930
	下置式积极多臂 Floor-mounted positivedobby (STAUBL 1:2658)	4420	4620	4820	5020	5320	5920	6120
	A	1900	2100	2300	2500	2800	3400	3600
	B	2540	2740	2940	3140	3440	4040	4240

注: W为双喷时的概略尺寸, 至于其它规格的详细尺寸, 请直接向我公司询问。  
Note: Figures in the "W" section are the dimensions for a 2-color loom with out the WBS, for other specifications please contact us.